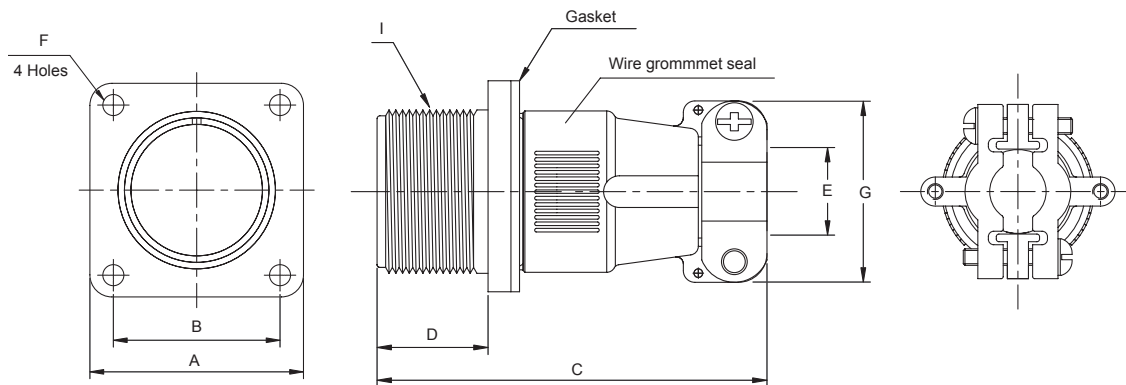


# Amphenol MIL-C-5015 Connectors MS3100E(F)

## Wall Mounting Receptacle Integral Cable Clamp



MS3100E/F wall mounting receptacles are used to carry wires thru walls or bulkheads, or to provide a means of disconnection at a bulkhead MS 3100E/F receptacles mate with 3106 and 3108 plugs.

(mm)

Shell Size	□A ±0.79	□B ±0.12	C Max	D +0.79 -0.00	∅E Max	∅F +0.25 -0.12	∅G Max	I Thread-2A (UNEF)
10SL	25.40	18.26	57.15	14.28	7.90	3.05	23.0	5/8-24 NEF
12S	27.79	20.62	57.15	14.28	7.90	3.05	23.0	3/4-20 NEF
12	27.79	20.62	66.67	19.05	7.90	3.05	23.0	3/4-20 NEF
14S	30.18	23.01	57.15	14.28	11.2	3.05	26.0	7/8-20 NEF
14	30.18	23.01	66.67	19.05	11.2	3.05	26.0	7/8-20 NEF
16S	32.54	24.61	57.15	14.28	14.2	3.05	29.0	1-20 NEF
16	32.54	24.61	66.67	19.05	14.2	3.05	29.0	1-20 NEF
18	34.93	26.97	68.27	19.05	16.0	3.05	31.6	1 1/8-18 NEF
20	38.10	29.36	69.85	19.05	19.1	3.05	37.5	1 1/4-18 NEF
22	41.28	31.75	69.85	19.05	19.1	3.05	37.5	1 3/8-18 NEF
24	44.45	34.93	75.41	20.63	23.8	3.73	43.0	1 1/2-18 NEF
28	50.80	39.67	76.98	20.63	23.8	3.73	43.0	1 3/4-18 NS
32	57.15	44.45	76.98	22.23	32.0	4.39	52.0	2-18 NS
36	63.50	49.23	83.33	22.23	35.0	4.39	58.0	2 1/4-16 UN