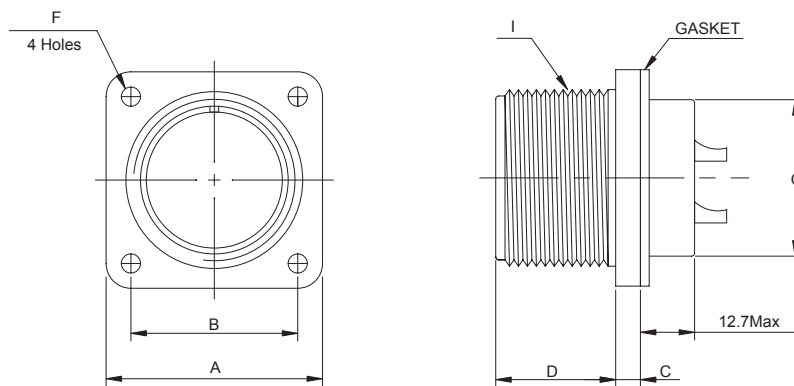


# Amphenol MIL-C-5015 Connectors

## MS3102E

### Box Mounting Receptacle



MS3102E box mounting receptacles are used in junction boxes or as an integral part of equipment. These connectors are identical with 3102A in construction.

(mm)

Shell Size	□A ±0.79	□B ±0.12	C ±0.5	D +0.79 -0.00	Ø F +0.25 -0.12	Ø G Max	I Thread-2A (UNEF)
10SL	25.40	18.26	3.0	14.28	3.05	16.0	5/8-24 NEF
12S	27.79	20.62	3.0	14.28	3.05	16.5	3/4-20 NEF
12	27.79	20.62	3.0	19.05	3.05	16.5	3/4-20 NEF
14S	30.18	23.01	3.0	14.28	3.05	20.0	7/8-20 NEF
14	30.18	23.01	3.0	19.05	3.05	20.0	7/8-20 NEF
16S	32.54	24.61	3.0	14.28	3.05	23.0	1-20 NEF
16	32.54	24.61	3.0	19.05	3.05	23.0	1-20 NEF
18	34.93	26.97	4.0	19.05	3.05	26.0	1 1/8-18 NEF
20	38.10	29.36	4.0	19.05	3.05	29.0	1 1/4-18 NEF
22	41.28	31.75	4.0	19.05	3.05	32.5	1 3/8-18 NEF
24	44.45	34.93	4.0	20.63	3.73	35.5	1 1/2-18 NEF
28	50.80	39.67	4.0	20.63	3.73	42.0	1 3/4-18 NS
32	57.15	44.45	4.0	22.23	4.39	48.0	2-18 NS
36	63.50	49.23	4.0	22.23	4.39	54.5	2 1/4-16 UN